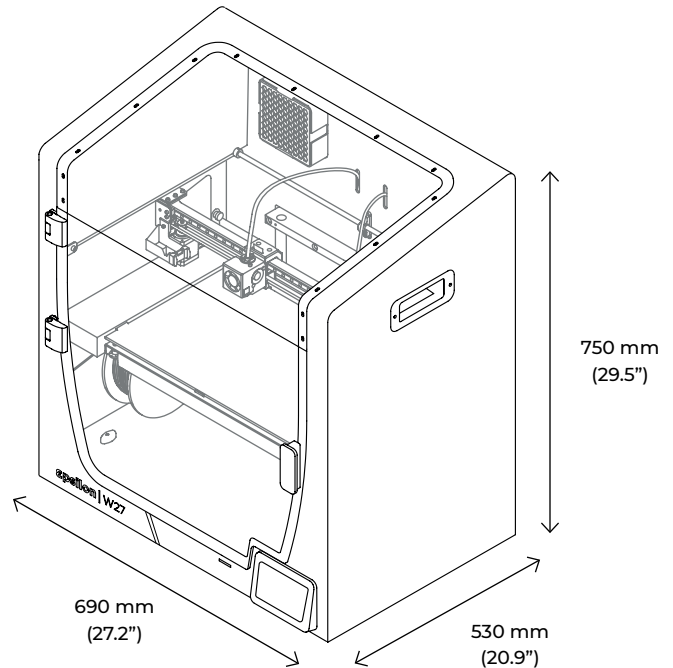
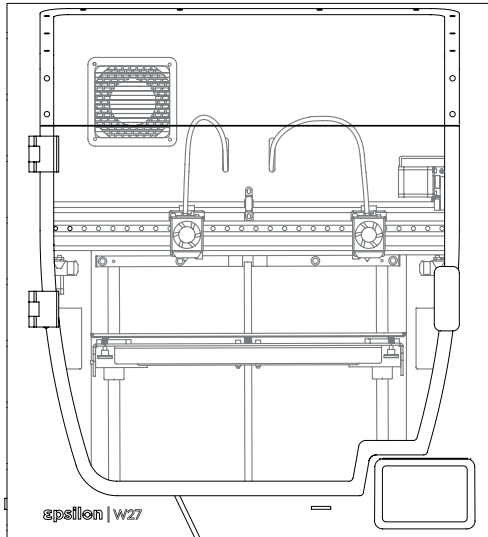


Specifications



BCN3D Epsilon W27 (Gen 2)



Printer properties

| | |
|-------------------------------|---|
| 3D Printing Technology | Fused Filament Fabrication (FFF) |
| Architecture | Independent Dual EXtruder (IDEX) |
| Printing volume | 420mm x 300mm x 220mm (16.5" x 11.8" x 8.7") |
| Build chamber | Passive Heated Chamber Fully enclosed Safety Pause |
| Air filtering | Category H13 HEPA filter Active Carbon filter |
| Number of extruders | 2 |
| Warranty | 1 year for EU countries 1 year for non-EU countries |
| Extruder system | Extruder Bondtech™ high-tech dual drive gears Hotends optimized |
| Printing modes | Single mode Duplication mode Mirror mode Multimaterial mode Soluble Supports mode |

Specifications



BCN3D Epsilon W27 (Gen 2)

Printer properties

| | |
|-------------------------------------|--|
| Automatic Calibration System | Based on a piezoelectric sensor Main features: * Accurate Z homing * Quick assisted bed leveling * Automatic XYZ offset extruder calibration * Automatic Mesh Mapping |
| Electronics | Single Board Computer: Toradex ARM Compute Module Motion Board: BCN3D Electronics with Independent Stepper Drivers |
| Firmware | BCN3D Embedded Linux distribution BCN3D Epsilon - Marlin |
| Heated bed | Silicone thermal pad |
| Screen | 5" full color capacitive touchscreen |
| Supported languages | Spanish English German French Italian Japanese Portuguese Chinese |
| Supported files | *.gcode |
| Operating sound | 49 dB(A) |
| Nozzle diameter | Brass nozzle: 0,4mm (default) 0,6mm 0,8mm 1,0mm Hotend X: 0,6mm - Hotend M: 0,4mm |
| Certifications | CE / FCC |
| Connectivity | Offline printing: SD card Online printing: WiFi or Ethernet (through BCN3D Cloud) |

Materials

| | |
|-----------------------------|--|
| Filament diameter | 2,85 ± 0,05 mm |
| Compatible materials | Standard materials: PLA, Tough PLA, PET-G, TPU 98A, PVA, BVOH Technical materials: ABS, PP, PA Composite materials (only with Hotend X): PP GF30, PAHT CF15, PET CF15 Metal materials (only with Hotend M): Ultrafuse 316L, Ultrafuse 17-4 PH |
| Open filament system | Yes |

Specifications



BCN3D Epsilon W27 (Gen 2)

Physical properties

| | |
|-------------------------|--|
| Overall dimensions | 690mm (W) x 530mm (D) x 750mm (H) (27.2" x 20.9" x 29.5") |
| Weight | 43,9kg (96,7 lb) |
| Shipping box dimensions | 800mm (W) x 600mm (D) x 1230mm (H) (31.5" x 23.6" x 48.4") |
| Shipping weight | 61kg (134,4 lb) |
| Shipping method | Half Europallet |

Printing properties

| | |
|------------------------------------|--|
| Recommended profiles | Layer height: 0,2mm 0,3mm 0,4mm (depending on nozzle diameter) |
| Layer height | 0,05mm - 0,5mm (custom profiles) |
| Positioning resolution (X / Y / Z) | 1,25µm / 1,25µm / 1µm |
| Operating temperature | 15 °C - 30 °C |
| Extruder maximum temperature | 300 °C |
| Heated bed maximum temperature | 120 °C |
| Build chamber maximum temperature | 60 °C (depending on operating temperature) |

Electric Properties

| | |
|---------------------------|-----------------------------------|
| Input | AC 100-240V, AC 8,4-3,5A, 50-60Hz |
| Maximum power consumption | 840W |

Software

| | |
|---------------------------|---|
| File preparation software | BCN3D Stratos |
| Operating Systems | Windows, Mac, Linux |
| Supported files | STL, 3MF, OBJ, AMF, DAE, ZAE, CTM, PLY, X3D, GLB, GLTF |
| Wireless connectivity | BCN3D Cloud |
| Supported browsers | Google Chrome, Mozilla Firefox, Microsoft Edge, Safari, Opera |

Specifications



BCN3D Epsilon W27 (Gen 2)

Support Plans

The Epsilon Support Plans are designed to provide better customer satisfaction, improved ROI and reduced downtime. The plans are available in the form of either a 1 year, 2 year or 3 year term. The 1 year plan runs alongside our standard 12 month warranty. The 2nd and 3rd year plans include an extension of the warranty.

Contents of the Epsilon Support Plan: Priority email & online chat support (response time less than 24h), access to a dedicated support phone line (08:30 - 17:30 CET), 1 hour call with BCN3D Applications Engineer (1 month after installation), BCN3D Maintenance Kit and Extended Warranty (on 2nd and 3rd Year Plans).